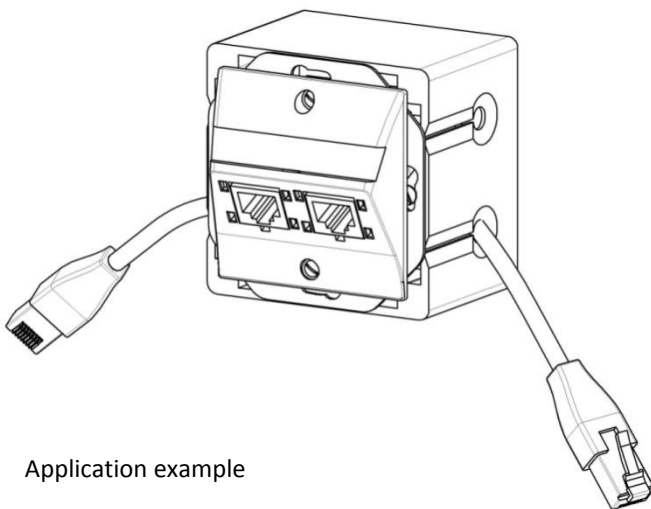
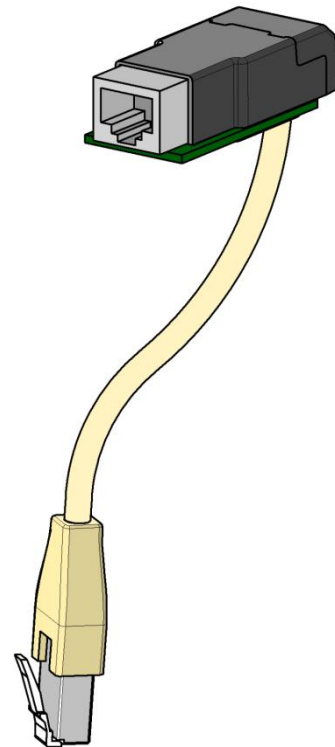


Network Module Isolator 10/100/1000 MBit/s Wall Mount Ethernet Isolation

The network module isolator 10/100/1000 MBit/s is conceived for the installation in network outlets with RJ45 modules, e.g. FM global outlet 2x1 port. The cable whip exits from the isolator back through openings of the cup into the cable channel and connects there with the field-configurable RJ45-jack mounted on the installed network cable. This connection outside of the outlet cup offers the advantage of a simple assembly and while opened the trunk it allows measuring the build-in installation cable with standard measuring instruments. This is necessary, since the galvanic separator of the network insulator prevents measuring the whole link from the outlets side. If screened cables are used, the screen can be put to the field-mountable RJ45-socket on the shielding. Field-configurable RJ45-jacks exhibits hereunto a grounding latch for the connection with a lug. The network isolation module **does not** continue the screen, since thereby the isolation effect would be waived.



Application example

Outlet with 2 Modules

More characteristics:

- maintenance-free
- passive component, no additional power supply necessary
- no software installation

**Network Module Isolator 10/100/1000 MBit/s
 Wall Mount Ethernet Isolation**
Technical Data

Article Number		2005761
Norms / Standards		IEC 60601-1 resp. EN60601-1:X2006
Electrical strength between the network connections		4KV
Anschlüsse		1x jack RJ45, 8-pole and 1x plug RJ45, 8-pole
Attenuation	10Mbit/s (0-30MHz)	-0,8db
	100Mbit/s (0-31,25MHz)	-0,8db
	1000Mbit/s (0-62,5MHz)	-2db 1
Network specification		IEEE 803.2 10/100Base-T IEEE 802.3ab 1000Base-T Twisted Pair, auto-conf
1If the link length is > 80m, the transmission power for 1Gbit/s cannot be guaranteed in general. Please check installation first.		

Mode of operation		Permanent operation
Site conditions during operation	Air pressure	860hPa bis 1060HPa
	Temperature	-25°C to 85°C
	Relative humidity	10% bis 90% (not condensing)
Dimensions without cable		(52x23x17)mm ³
Cable length		(Standard) 120mm
Klassifizierung	Safety class	n.a.
	Protection against penetration of water	No Protection
	Degree of protection of the application part against electrical impact	n.a.
	Degree of protection against discharge of defibrillators	n.a.
	Protection for use at presence of inflammable mixtures of anesthetics with air or with oxygen or laughing gas	No Protection

Network Module Isolator 10/100/1000 MBit/s Wall Mount Ethernet Isolation

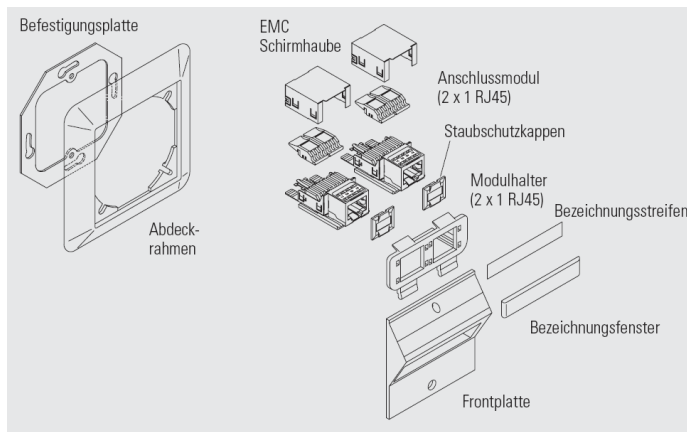
Optional Accessories:

FM Global Outlet 88x88, 2x1-Port, pure white

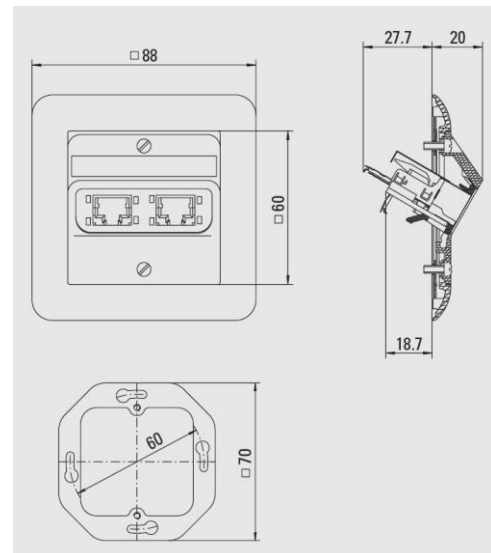
This outlet features an angled outlet hood of 30°, for flush installations and duct-mounting, including a mounting plate with a mounting track of 60 mm, cover frame of 80 x 80 mm, labeling window and module holder for 2 individual RJ45 modules, plus a blind cover for the use as a one-RJ45 outlet, to cover the unused port. Color: white (RAL 9010). Halogen-free in acc. with DIN/VDE 0472/815. The 3-level protection concept comprises the options color coding, mechanical-visual coding, and the locking of individual ports.



Example



Dimensions



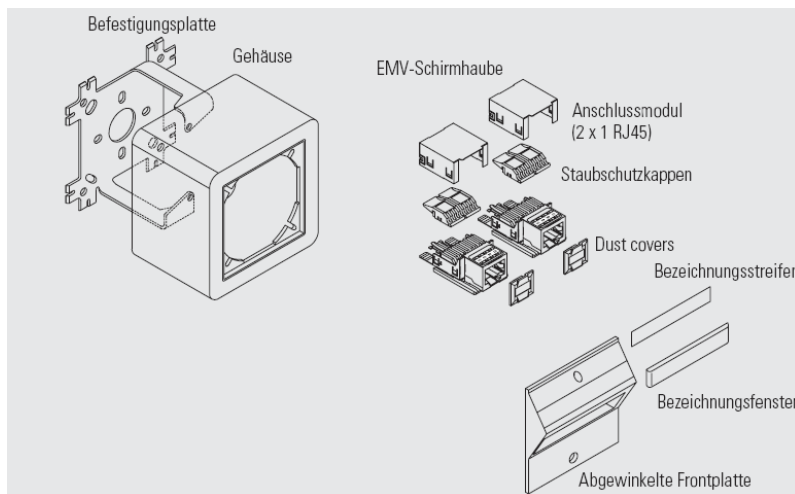
Network Module Isolator 10/100/1000 MBit/s Wall Mount Ethernet Isolation

WM Global Outlet for 2 x RJ45, white

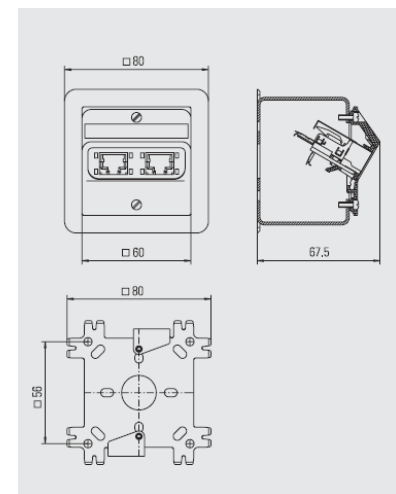
This outlet features an angled outlet hood of 30°, for surface-mounted installations, including a mounting plate, cover frame 80 x 80 mm, also including a labeling window and a module holder for 2 individual RJ45 modules, plus a blind cover for the use as a one-RJ45 outlet, to cover the unused port. Color: white (RAL 9010). Halogen-free in acc. with DIN/VDE 0472/815. The 3-level protection concept comprises the options color coding, mechanical-visual coding, and the locking of individual ports.



Example



Dimensions



Network Module Isolator 10/100/1000 MBit/s Wall Mount Ethernet Isolation

Connection Module Real10 Cat.6, 1xRJ45/s

Module to connect the isolator to an existing network cable.

RJ45 connection module of Category 6, for the setting up of transmission channels of class E and class EA with up to 4 plugged connections, and class F on 2 pairs, complies with Category 6 requirements of the standards ISO/IEC 11801:2002, EN 50173-1: May 2007, DIN EN 50173-1: Dec. 2007 as well as ANSI/TIA/EIA 568-B.2-1, de-embedded tested in acc. with IEC 60603-7-5, interoperable and backwards compatible with Category 5e and Category 5.



Connection Module Cat. 5e, shielded

RJ45 connection module of Category 5, for the setting up of transmission channels of class D with up to 4 plugged connections and class E with up to 2 plugged connections when using a Cat.7 system cable, complies with Category 5 requirements of the standards ISO/IEC 11801:2002, EN 50173-1: May 2007, DIN-EN 50173-1: Dec. 2007 as well as ANSI/TIA/EIA 568-B.2-1, de-embedded tested in acc. with IEC 60603-7-3, interoperable and backwards compatible with Category 5e (2000) and Category 5 (1995).

